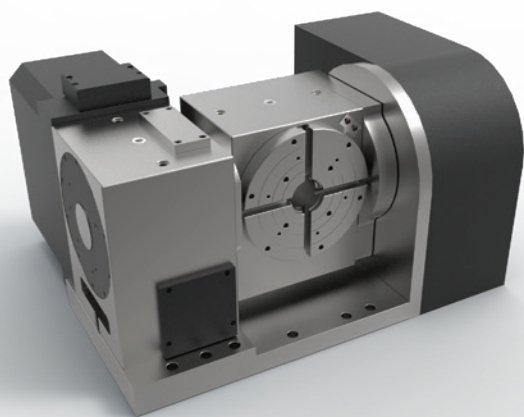


TR-8



DESIGNED AND
MANUFACTURED IN THE USA



The TR-8 is our 4th and 5th axis rotary table. Both spindles and both worms have dual bearings. Each worm wheel is helically cut and throated for greater surface contact between the wheel and worm.

FEATURES

- Dual Spindle Bearings
- Dual Worm Bearings
- Heavy Duty
- Compact Design
- High Precision and Repeatability
- Highly Integrable for VMCs
- Throated Worm Wheel

SPECIFICATIONS

Diameter	8.25 in. 210 mm
Number of T-Slots	4

SPINDLE

Max Torque	Varies with Motor
Backlash	30 arc-sec
Through Bore	2 in 51 mm
Center Height	8.65 in 219.7 mm
Gear Ratio A	90:1
Gear Ratio B	90:1
Max Load (Horizontal)	235 lbs 107 kg
Clamp Method	Pneumatic
Brake Torque @ 120psi	225 ft/lbs 305 N.m

INDEXING (available on all models)

Accuracy +/-	15 arc-sec
Repeatability (A/B)	4/8 arc-sec
Tilt Travel Limit	+30 / -120
Tilt Accuracy	30 arc-sec

GENERAL

Air Pressure Max	120 psi 8.3 bar
Table Weight	~550 lbs ~250 kg

Specifications subject to change without notice.

TR-8 ROTARY WITH MOTORS AND INTERNAL CABLES

The Index Designs TR-8 is a true 5-axis rotary table, complete with compatible servo motors, and 9' extension cables ready to plug into your 5-axis ready CNC machine.

Note: Prices do not include installation or parameter changes that may be necessary to adjust for different gear ratios.

For machines that are not 5th-axis ready: Add 4th- + 5th-axis kit for each rotary axis. Kit includes all parts necessary to make CNC machine 5th-axis ready. Prices vary by machine. Call for quote. Does not include installation.



21720 Marilla Street
Chatsworth, CA 91311

818-280-8120

Sales@IndexDesignsCNC.com

www.IndexDesignsCNC.com

TR-8

GENERAL DIMENSIONS

