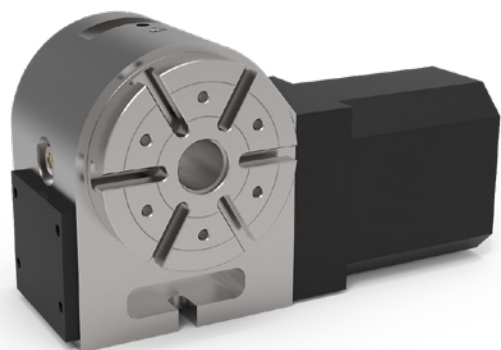


VH-6



DESIGNED AND
MANUFACTURED IN THE USA



The VH-6 is the smallest rotary table we offer, featuring 6.3" (160 mm) diameter with a 1.5" through hole. The VH-6 series is designed with pneumatic braking systems and built with dual bearings both in the front and rear of the spindle.

FEATURES

- Dual Spindle Bearings
- Dual Pre-Loaded Worm Bearings
- Heavy Duty
- Powerful Multi-Disk Brake
- High Precision and Repeatability
- Low Centerline
- Highly Integrable for VMCs
- Optional 6" 3-Jaw Chuck
- 5C Nose Piece with Manual or Air Collet Closer

SPECIFICATIONS

Diameter	6.3 in. 160 mm
Number of T-Slots	6

SPINDLE

Max Torque	Varies with Motor
Backlash	30 arc-sec
Through Bore	1.5 in 38 mm
Center Height	5.5 in 139.7 mm
Gear Ratio	60:1
Max Load (Horizontal)	165 lbs 75 kg
Clamp Method	Pneumatic
Brake Torque @ 120psi	120 ft/lbs 162 N.m

INDEXING (available on all models)

Accuracy +/-	15 arc-sec
Repeatability	10 arc-sec

GENERAL

Air Pressure Max	120 psi 8.3 bar
Table Weight	~100 lbs ~45 kg

Specifications subject to change without notice.

CUSTOMIZE WITH YOUR MOTOR OF CHOICE TO MATCH YOUR SHOP ENVIRONMENT

FANUC

BALDOR
MOTORS AND DRIVES



SIEMENS



YASKAWA



21720 Marilla Street
Chatsworth, CA 91311

818-280-8120

Sales@IndexDesignsCNC.com

www.IndexDesignsCNC.com

VH-6

GENERAL DIMENSIONS

