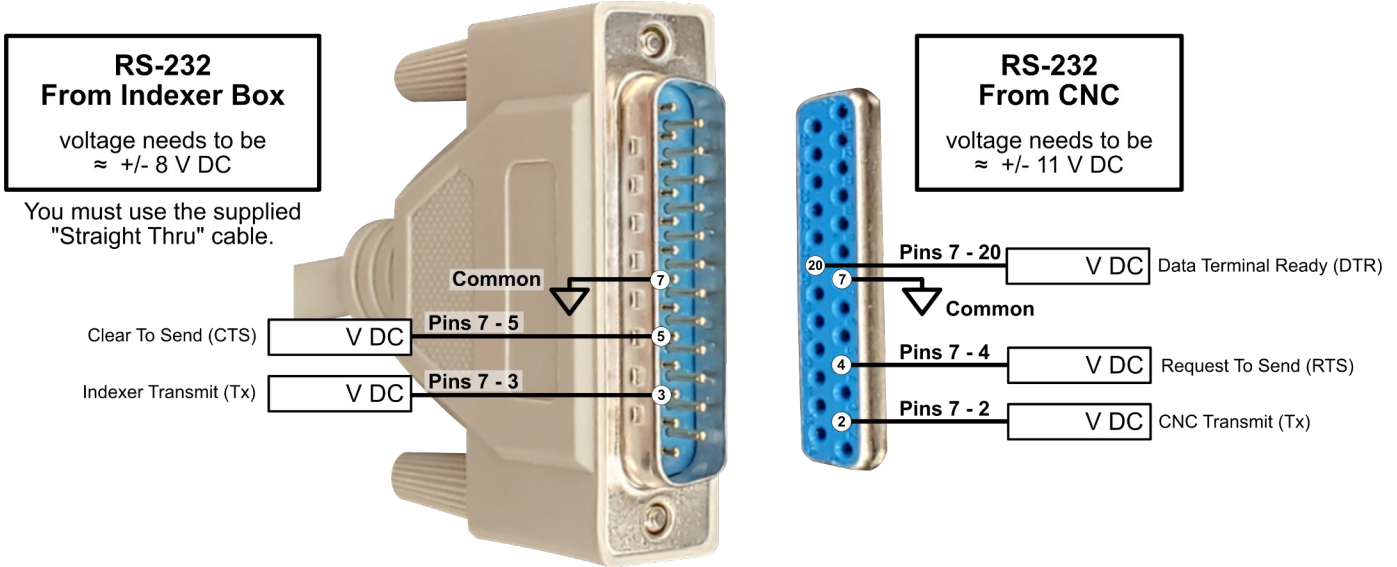


Standard RS-232 wiring

Measure all voltages at the listed pins.



Alternate RS-232 wiring

XON/XOFF must be used in the indexer settings.
Measure all voltages at the listed pins.

